

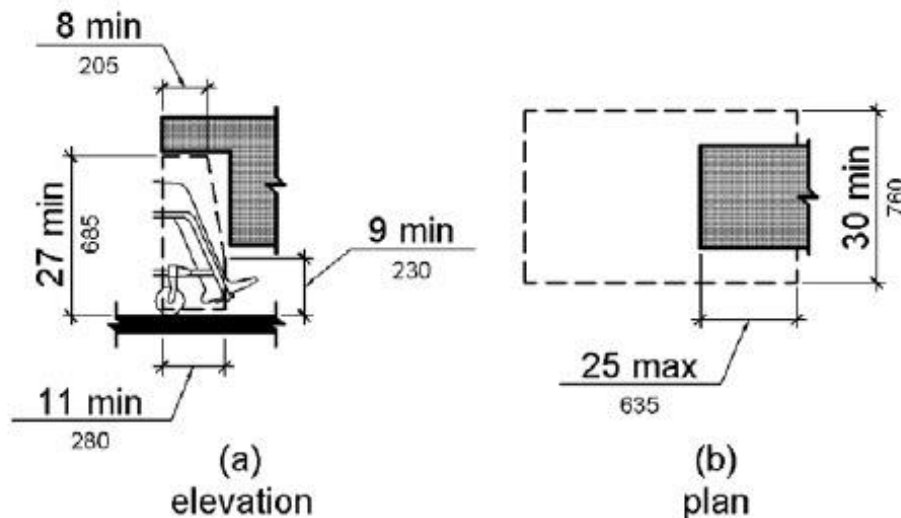


TAS CASE STUDY 306\_1  
By Marcela Abadi Rhoads, AIA, RAS, CDT, WBE, HUD

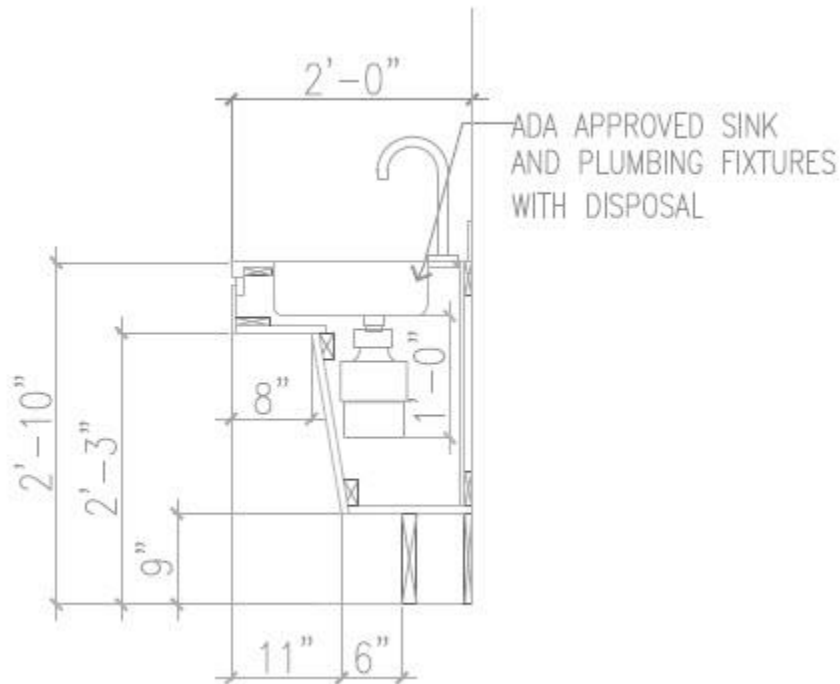
Can a sink with a disposal have knee clearance per the TAS section 306?

The dimensions for the knees should be 27" a.f.f. and 8" horizontally from the edge of the counter. The dimensions for the toes are a bit harder to figure out. They are 9" a.f.f. minimum and 6" maximum from the edge of the protective panel or pipes back. This figure shows a wall, and most designers have a detail which makes the protective panel is located 6" max. away from the wall.

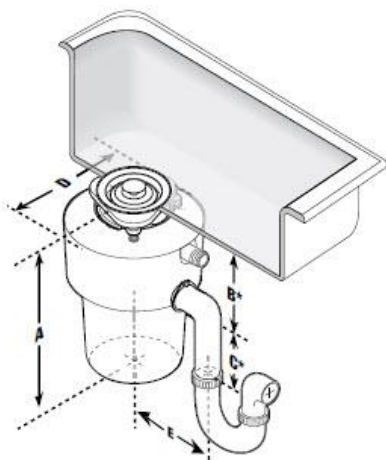
The new ADAAG separates the two dimensions and makes it clearer what clearances are required.



**Figure 306.3**  
**Knee Clearance**



A disposer that has a diameter of 12", there should be enough room if the proper clearances are provided. Some that we found that have small profiles are In Sink-E-rator. But there should be others with small profiles.



Dimension	A	B*	C*	D	E
Inches	14-9/16	6-13/16	4	8	5-3/4
Cm	37.0	17.3	10.2	20.3	14.6

B\* – Distance from bottom of sink to center line of disposer outlet.  
 Add 1/2" (13mm) when stainless steel sinks are used.

C\* – Length of discharge tube from center line of disposer outlet to end of discharge tube.

**Important** – Plumb waste line to prevent standing water in disposer motor housing.